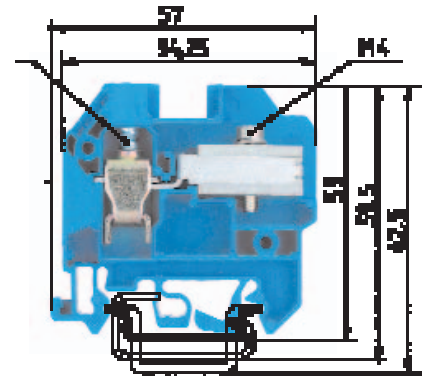
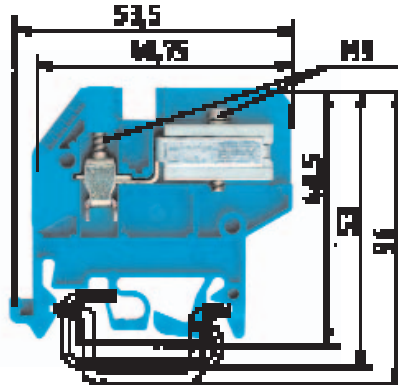


Neutral disconnect blocks for installation with U-foot, type WKN

selos



Current carrying capability:
fine-stranded: 4 mm² 25 A
solid: 6 mm² 30 A

Current carrying capability:
fine-stranded: 10 mm² 45 A
stranded: 16 mm² 50 A

WKN 4 ETK/U

fine-stranded solid V A
0.5–4 mm² 0.5–6 mm² 400 V/6 kV/3*)

WKN 10 ETK/U

fine-stranded solid/stranded V A
1–10 mm² 1–16 mm² 400 V/6 kV/3*)

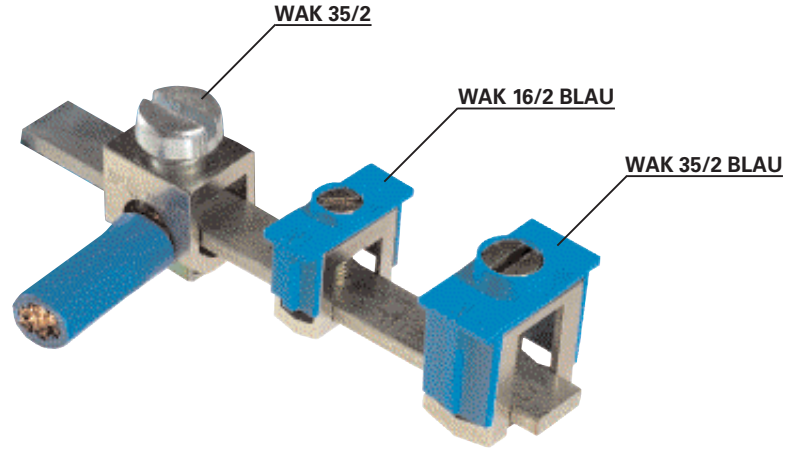
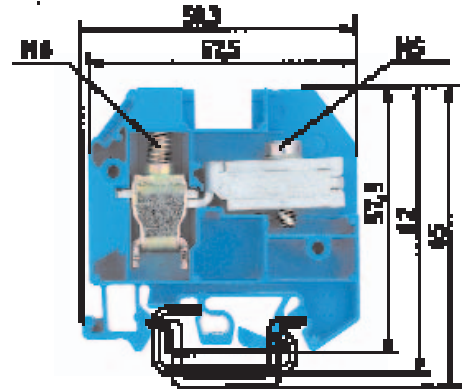
EN 60 947-7-1/DIN VDE 0611 T1
UL ratings/CSA ratings field/factory wiring
Width Wire strip length
Approvals

6 mm 9 mm

10 mm 13 mm

	Type	Part No.	Std. Pack	Type	Part No.	Std. Pack
Neutral disconnect block blue	WKN 4 ETK/U	57.504.8155.0	100	WKN 10 ETK/U	57.510.8155.0	50
Connector clamps for busbar blue						
unplated						
Accessories						
1. Mounting rail TS 35, DIN rail 7.5 mm high L = 2 m	35 x 27 x 7,5 EN 60715	98.300.0000.0	1	35 x 27 x 7,5 EN 60715	98.300.0000.0	1
Mounting rail TS 35, DIN rail, 15 mm high L = 2 m	35 x 24 x 15 EN 60715	98.360.0000.0	1	35 x 24 x 15 EN 60715	98.360.0000.0	1
Mounting rail TS 32, G rail L = 2 m	9006 EN 60715 G-32	98.190.0000.0	1	9006 EN 60715 G-32	98.190.0000.0	1
2. End clamp with U-foot 10 mm wide	WE 1/U	Z5.523.5753.0	100	WE 1/U	Z5.523.5753.0	100
End clamp TS 35, with screw 8 mm wide	9708/2 S35	Z5.522.8553.0	100	9708/2 S35	Z5.522.8553.0	100
End clamp TS 32, with screw 7.5 mm wide	9708	Z5.522.7053.0	100	9708	Z5.522.7053.0	100
3. End plate, 1.5 mm thick gray						
blue	APN 4 ETK	07.312.1155.0	10	APN 10 ETK	07.312.0955.0	10
End plate, 2 mm thick gray						
blue						
4. Partition, 1.5 mm thick gray						
blue						
Partition, 2 mm thick gray						
blue						
Partition, 3 mm thick gray						
blue						
5. Busbar support 10 x 3 4 mm wide	WKI SH/U	01.108.3255.0	10	WKI SH/U	01.108.3255.0	10
6. Busbar E-Cu, 10 x 3 L = 1 m	9813 M	98.290.0000.0	1	9813 M	98.290.0000.0	1
Busbar, tin-plated, 10 x 3 L = 1 m	9813 M SN	98.290.1000.0	1	9813 M SN	98.290.1000.0	1
7. Single cover for cross conn. with mark.facility	AD VB 4 GELB	04.326.2153.8	10	AD VB 10 GELB	04.326.2353.8	10
8. Partition plate with marking facility						
Partition plate with cover						
9. Cover strip for cross conn. over 10 blocks						
Cover strip with warning symbol over 4 blocks						
For more accessories see pages 216-229 and 238-243						
For marking systems see pages 230-237						
*) For use in grounded networks 690/400 V						

Connector clamps for Cu busbar (10 x 3 mm), type WAK



Current carrying capability:
 fine-stranded: 16 mm² 62 A
 stranded: 25 mm² 67 A

WKN 16 ETK/U

fine-stranded solid/stranded V A
 4 – 16 mm² 4 – 25 mm² 400 V/6 kV/3*¹

12 mm 15 mm



EN 60 998-2-1 CCA/CH

WAK 16/2

fine-stranded stranded V A
 1.5 – 16 mm² 10 – 16 mm² 76

8.4 mm 16 mm



EN 60 998-2-1 CCA/CH

WAK 35/2

fine-stranded stranded V A
 16 – 35 mm² 16 – 35 mm² 125

17 mm 14 mm



Type	Part No.	Std. Pack	Type	Part No.	Std. Pack	Type	Part No.	Std. Pack
WKN 16 ETK/U	57.516.8155.0	50	WAK 16/2 BLAU	30.494.3021.6	100	WAK 35/2 BLAU	30.494.4021.6	100
						WAK 35/2	30.494.4121.0	50
35 x 27 x 7,5 EN 60715	98.300.0000.0	1						
35 x 24 x 15 EN 60715	98.360.0000.0	1						
9006 EN 60715 G-32	98.190.0000.0	1						
WE 1/U	Z5.523.5753.0	100						
9708/2 S35	Z5.522.8553.0	100						
9708	Z5.522.7053.0	100						
APN 16 ETK	07.312.0855.0	10						
WKI SH/U	01.108.3255.0	10						
9813 M	98.290.0000.0	1						
9813 M SN	98.290.1000.0	1						
AD VB 16 GELB	04.326.2453.8	10						